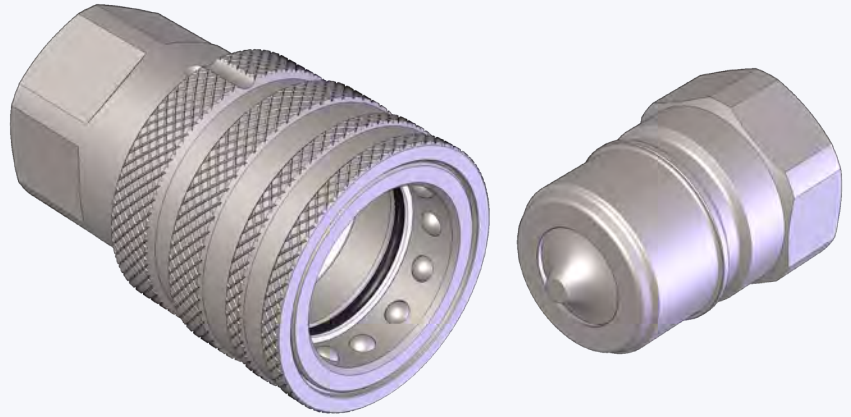


**NORDIC INTERCHANGE**

VALVOLA/ACCIAIO  
 POPPET/STEEL  
 VENTIL/STAHL  
 CLAPET/ACIER

**Caratteristiche tecniche I**

- Intercambiabilità: serie Parker-Tema T
- Occlusione: valvola
- Aggancio: sfere radiali
- Materiale: acciaio
- Finitura: Zn-Ni
- Filettature: BSP - NPT
- Guarnizioni standard: NBR
- Temperatura d'esercizio: -25 °C +100 °C
- Guarnizioni opzionali: FKM, EPDM o altro
- Pressioni di esercizio: 300-400 bar
- Connessione in pressione: non consentita



**Technical data E**

- Interchange: Parker-Tema T series
- Occlusion: poppet
- Locking: radial balls
- Material: steel
- Finishing: Zn-Ni
- Threads: BSP - NPT
- Standard seals: NBR
- Working temperature: -25 °C +100 °C
- Optional seals: FKM, EPDM or more
- Working pressure: 300-400 bar
- Connection under pressure: not allowed

Nominal size				Max working pressure	Rated flow	Max flow rate	Min burst pressure			Fluid spillage
DNP	BG	ISO	mm				Male	Female	Coupled	
06	1	6.3	6.3	40	12	29	150	150	160	1
10	2	10	9.2	37	45	90	110	140	130	2.5
13	3	12.5	12.2	35	90	160	110	130	120	6
20	4	19	18.3	30	212	300	90	110	110	20
25	5	25	23.7	30	380	500	90	100	110	35

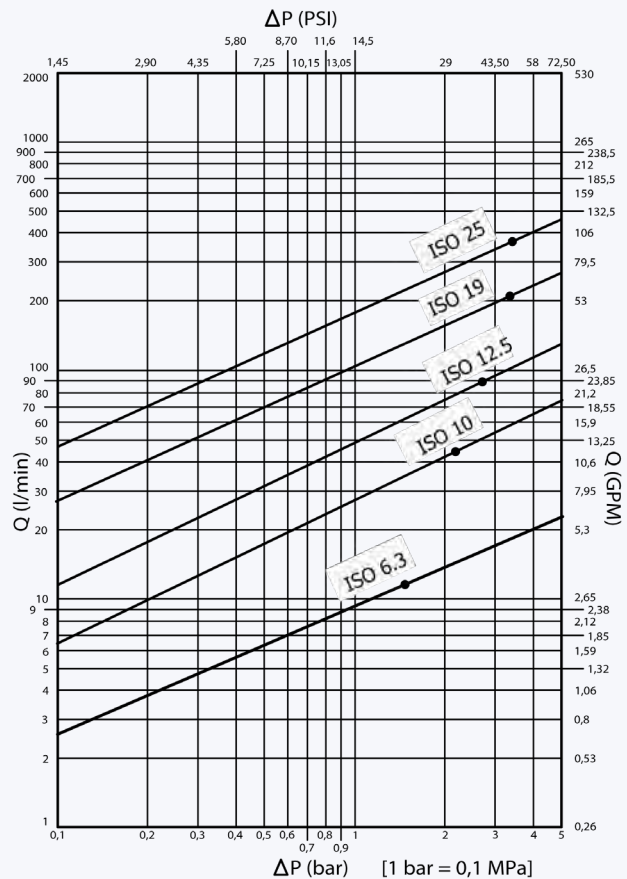
1 MPa = 145.04 psi • 1 l = 0.264 gal

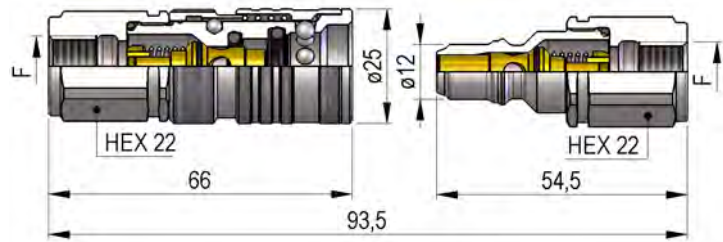
**Technische Merkmale D**

- Austauschbarkeit: Parker-Tema T Serie
- Verschluss: ventil
- Kupplung: Radial Kugeln
- Werkstoff: Stahl
- Ausführung: Zn-Ni
- Gewinde: BSP - NPT
- Standard-Dichtungen: NBR
- Betriebstemperatur: -25 °C +100 °C
- Dichtungen nach Wahl: FKM, EPDM, usw.
- Betriebsdruck: 300-400 bar
- Kuppeln unter Druck: nicht möglich

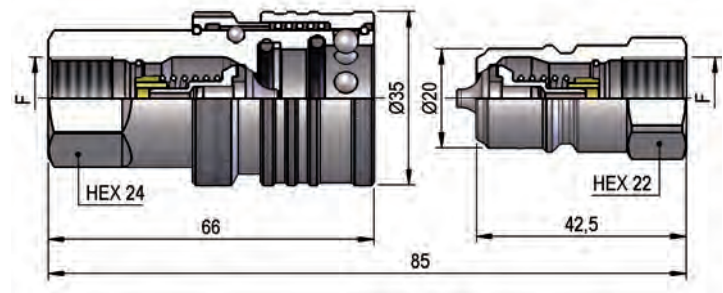
**Caracteristiques techniques F**

- Intercambiabilité: Parker-série Tema T
- Obturation: clapet
- Accrochage: billes radiales
- Matériel: acier
- Traitement: Zn-Ni
- Taraudage: BSP - NPT
- Joints standard: NBR
- Température de service: -25 °C +100 °C
- Joints facultatifs: FKM, EPDM, ect.
- Pression de service: 300-400 bar
- Connexion sous pression: pas possible

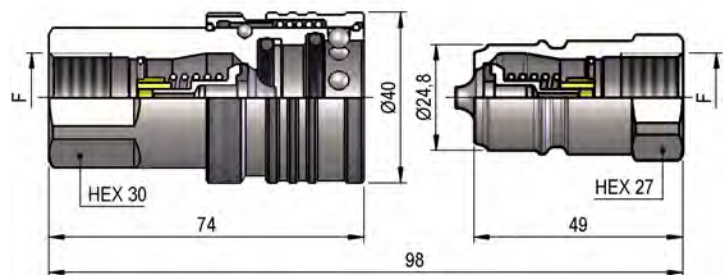


**PTV1 DN06 - BG 1 - ISO 6.3**


F	STANDARD	FEMMINA - FEMALE - MUFFE - FEMELLE			MASCHIO - MALE - STECKER - MALE		
		COD. F	Weight (g)	Packaging (pcs.)	COD. M	Weight (g)	Packaging (pcs.)
BSP 1/4"	DIN 3852-2-X	PTV1.0606.002	146	95	PTV1.0606.003	78	120
NPT 1/4"	ANSI B1.20.3	PTV1.0606.012	147	95	PTV1.0606.013	79	120

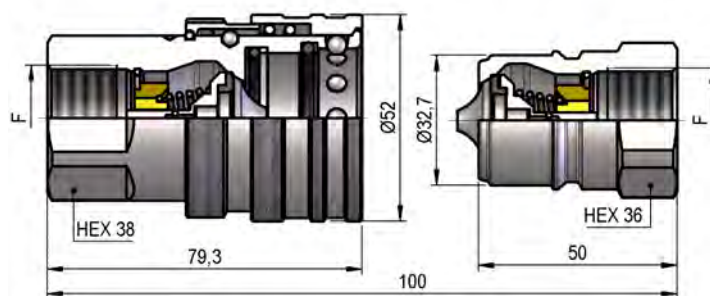
**PTV1 DN10 - BG 2 - ISO 10**


F	STANDARD	FEMMINA - FEMALE - MUFFE - FEMELLE			MASCHIO - MALE - STECKER - MALE		
		COD. F	Weight (g)	Packaging (pcs.)	COD. M	Weight (g)	Packaging (pcs.)
BSP 3/8"	DIN 3852-2-X	PTV1.1010.002	250	47	PTV1.1010.003	70	200
NPT 3/8"	ANSI B1.20.3	PTV1.1010.012	252	47	PTV1.1010.013	72	200

**PTV1 DN13 - BG 3 - ISO 12.5**


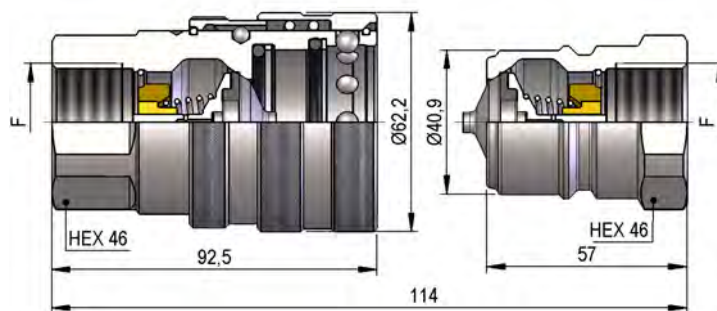
F	STANDARD	FEMMINA - FEMALE - MUFFE - FEMELLE			MASCHIO - MALE - STECKER - MALE		
		COD. F	Weight (g)	Packaging (pcs.)	COD. M	Weight (g)	Packaging (pcs.)
BSP 1/2"	DIN 3852-2-X	PTV1.1313.002	360	35	PTV1.1313.003	117	100
NPT 1/2"	ANSI B1.20.3	PTV1.1313.012	363	35	PTV1.1313.013	120	100

## PTV1 DN20 - BG 4 - ISO 19



F	STANDARD	FEMMINA - FEMALE - MUFFE - FEMELLE			MASCIO - MALE - STECKER - MALE		
		COD. F	Weight (g)	Packaging (pcs.)	COD. M	Weight (g)	Packaging (pcs.)
BSP 3/4"	DIN 3852-2-X	PTV1.2019.002	615	20	PTV1.2019.003	205	42
NPT 3/4"	ANSI B1.20.3	PTV1.2019.012	622	20	PTV1.2019.013	210	42

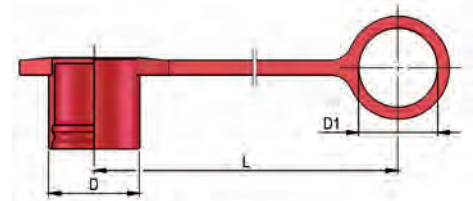
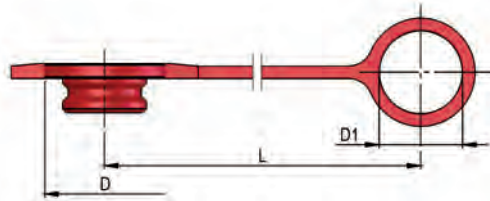
## PTV1 DN25 - BG 5 - ISO 25



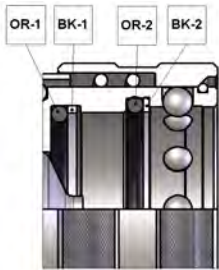
F	STANDARD	FEMMINA - FEMALE - MUFFE - FEMELLE			MASCIO - MALE - STECKER - MALE		
		COD. F	Weight (g)	Packaging (pcs.)	COD. M	Weight (g)	Packaging (pcs.)
BSP 1"	DIN 3852-2-X	PTV1.2525.002	1014	12	PTV1.2525.003	349	24
NPT 1"	ANSI B1.20.3	PTV1.2525.012	1025	12	PTV1.2525.013	359	24

## PLASTIC CAPS

NOMINAL SIZE		FEMALE DUST PLUG							MALE DUST CAP					COLOR	MATERIAL
DNP	BG	ISO	COD. F	Dimensions			Weight	COD. M	Dimensions			Weight			
				D	L	D1	(g)		D	L	D1	(g)			
10	2	10	SPTV.10002	33	140	24	13	SPTV.10003	26	140	24	14	●	PVC	
13	3	12.5	SPTV.13002	39	160	28	17	SPTV.13003	31	160	28	18	●	PVC	
20	4	19	SPTV.20002	51	190	34	27	SPTV.20003	39	190	34	25	●	PVC	
25	5	25	SPTV.25002	61	250	50	40	SPTV.25003	50	250	50	48	●	PVC	



## SPARE PARTS



NOMINAL SIZE			FEMALE GASKET			
DNP	BG	ISO	OR-1 (NBR*)	OR-2 (NBR*)	BK-1 (PTFE)	BK-2 (PTFE)
06	1	6.3	PTV.006.120	PAV.006.120	-	PAV.006.130
10	2	10	PDV.010.120	PAV.013.120	PTV.010.130	-
13	3	12.5	PVV.013.120	PTV.013.120	PTV.013.130	-
20	4	19	PVT.019.121	PTV.019.120	PTV.019.130	PTV.019.131
25	5	25	PLK.039.120	PTV.025.120	PTV.025.130	VFH.025.130

\*AL CODICE DELLA GUARNIZIONE IN NBR AGGIUNGERE 'E' PER EPDM O 'V' PER VITON

\*TO THE NBR GASKET CODE ADD 'E' FOR EPDM OR 'V' FOR VITON

\*ZU DER ARTIKELNR. DER NBR DICHTUNG GEBEN SIE 'E' FUER EPDM ODER 'V' FUER VITON AN

\*AU CODE DU JOINT EN NBR JOINDRE 'E' POUR EPDM OU 'V' POUR VITON