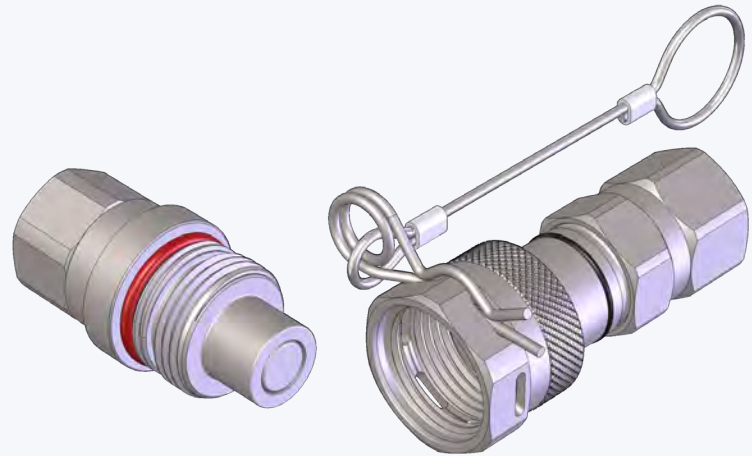


## FLAT FACE/SCREW

VITE VALVOLA PIANA/SICURA  
 FLAT FACE SCREW COUPLINGS/PIN LOCK  
 FLACHDICHTENDE SCHRAUBKUPPLUNGEN/SPLINT  
 COUPLEURS FACE PLANE À VISSER/GOUPILLE

### Caratteristiche tecniche I

- Intercambiabilità: Stucchi VEP
- Occlusione: faccia piana
- Aggancio: a vite con sicura
- Materiale: acciaio
- Finitura: Zn-Fe (Cr III) e Zn-Ni
- Filettature: BSP - NPT - SAE
- Guarnizioni standard: NBR e PU
- Temperatura d'esercizio: -25 °C +100 °C
- Guarnizioni opzionali: FKM, EPDM o altro
- Pressioni di esercizio: 300-350 bar
- Connessione in pressione: consentita (lato maschio o lato femmina)



### Technical data E

- Interchange: Stucchi VEP
- Occlusion: flat face
- Locking: screw with pin lock
- Material: steel
- Finishing: Zn-Fe (Cr III) and Zn-Ni
- Threads: BSP - NPT - SAE
- Standard seals: NBR and PU
- Working temperature: -25 °C +100 °C
- Optional seals: FKM, EPDM or more
- Working pressure: 300-350 bar
- Connection under pressure: allowed (both male or female side)

| Nominal size |    |      |      | Max working pressure | Rated flow | Max flow rate | Min burst pressure |        |         | Fluid spillage |
|--------------|----|------|------|----------------------|------------|---------------|--------------------|--------|---------|----------------|
| DNP          | BG | ISO  | mm   |                      |            |               | Male               | Female | Coupled |                |
| 20           | 3  | 12.5 | 10.7 | 35                   | 45         | 90            | 140                | 140    | 140     | 0.012          |
| 22           | 4A | 16   | 12.8 | 35                   | 74         | 150           | 140                | 140    | 140     | 0.015          |
| 25           | 4  | 19   | 14.8 | 35                   | 100        | 200           | 140                | 140    | 140     | 0.020          |
| 30           | 5  | 25   | 17.6 | 35                   | 189        | 280           | 140                | 140    | 140     | 0.030          |
| 39           | 7  | 40   | 30   | 30                   | 379        | 700           | 120                | 120    | 120     | 0.050          |

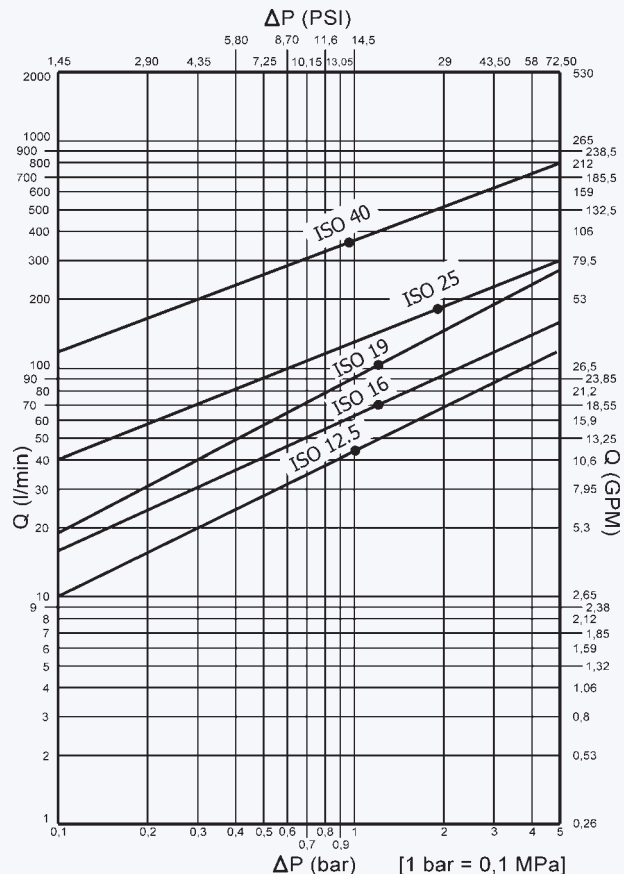
1 MPa = 145.04 psi • 1 l = 0.264 gal

### Technische Merkmale D

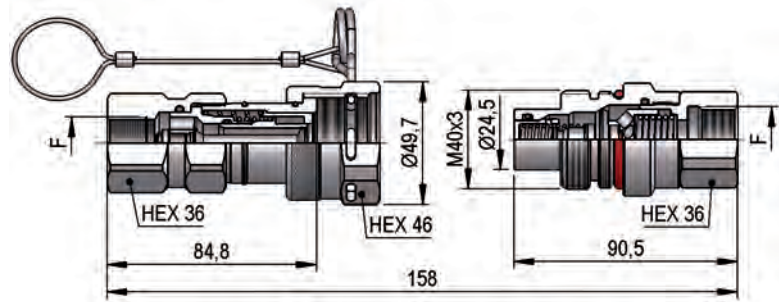
- Austauschbarkeit: Stucchi VEP
- Verschluss: flachdichtend
- Kupplung: Schraubweise mit splint
- Werkstoff: Stahl
- Ausführung: Zn-Fe (Cr III) und Zn-Ni
- Gewinde: BSP - NPT - SAE
- Standard-Dichtungen: NBR und PU
- Betriebstemperatur: -25 °C +100 °C
- Dichtungen nach Wahl: FKM, EPDM, usw.
- Betriebsdruck: 300-350 bar
- Kuppeln unter Druck: erlaubt (Steckerseite oder Muffeseite)

### Caracteristiques techniques F

- Intercambiabilité: Stucchi VEP
- Obturation: clapet plat
- Accrochage: a vissé avec goupille
- Matériel: acier
- Traitement: Zn-Fe (Cr III) et Zn-Ni
- Taraudage: BSP - NPT - SAE
- Joints standard: NBR et PU
- Température de service: -25 °C +100 °C
- Joints facultatifs: FKM, EPDM, ect.
- Pression de service: 300-350 bar
- Connexion sous pression: possible (côté male ou femelle)

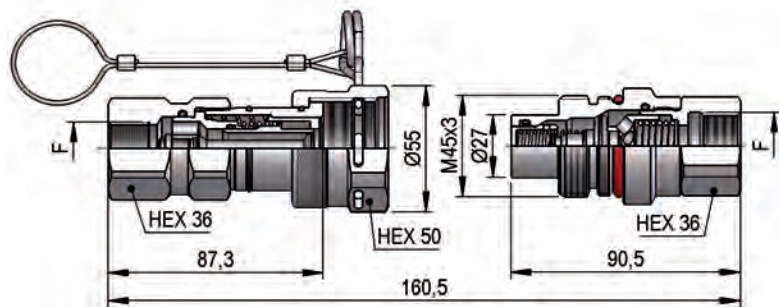


## PST4 CS DN20 - BG 3 - ISO 12.5

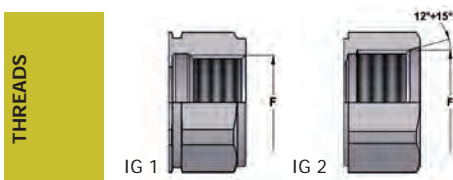


| THREADS | F               | STANDARD     | FEMMINA - FEMALE - MUFFE - FEMELLE |            |                  | MASCCHIO - MALE - STECKER - MALE |            |                  |
|---------|-----------------|--------------|------------------------------------|------------|------------------|----------------------------------|------------|------------------|
|         |                 |              | COD. F                             | Weight (g) | Packaging (pcs.) | COD. M                           | Weight (g) | Packaging (pcs.) |
| IG 1    | BSP 1/2"        | DIN 3852-2-X | PST4.2013.112 CS                   | 655        | 25               | PST4.2013.113 CS                 | 541        | 28               |
|         | NPT 1/2"        | ANSI B1.20.3 | PST4.2013.012 CS                   | 659        | 25               | PST4.2013.013 CS                 | 542        | 28               |
|         | BSP 3/4"        | DIN 3852-2-X | PST4.2019.112 CS                   | 622        | 25               | PST4.2019.113 CS                 | 503        | 28               |
|         | NPT 3/4"        | ANSI B1.20.3 | PST4.2019.012 CS                   | 630        | 25               | PST4.2019.013 CS                 | 510        | 28               |
| IG 2    | 3/4"-16 UNF 2B  | SAE J 1926-1 | PST4.2019.032 CS                   | 625        | 25               | PST4.2019.033 CS                 | 544        | 28               |
|         | 1"1/16-12 UN 2B | SAE J 1926-1 | PST4.2027.032 CS                   | 580        | 25               | PST4.2027.033 CS                 | 498        | 28               |

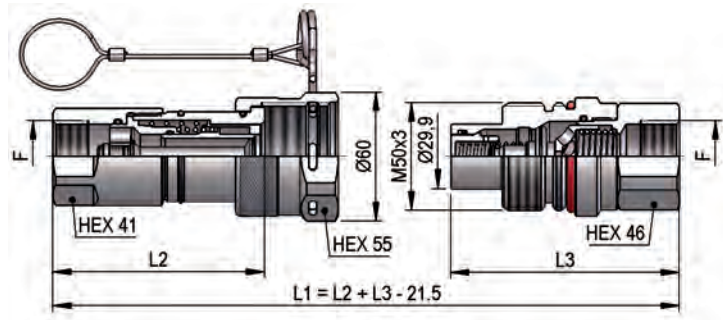
## PST4 CS DN22 - BG 4A - ISO 16



| THREADS | F               | STANDARD     | FEMMINA - FEMALE - MUFFE - FEMELLE |            |                  | MASCCHIO - MALE - STECKER - MALE |            |                  |
|---------|-----------------|--------------|------------------------------------|------------|------------------|----------------------------------|------------|------------------|
|         |                 |              | COD. F                             | Weight (g) | Packaging (pcs.) | COD. M                           | Weight (g) | Packaging (pcs.) |
| IG 1    | BSP 3/4"        | DIN 3852-2-X | PST4.2219.112 CS                   | 715        | 20               | PST4.2219.113 CS                 | 575        | 20               |
|         | NPT 3/4"        | ANSI B1.20.3 | PST4.2219.012 CS                   | 723        | 20               | PST4.2219.013 CS                 | 582        | 20               |
| IG 2    | 1"1/16-12 UN 2B | SAE J 1926-1 | PST4.2227.032 CS                   | 709        | 20               | PST4.2227.033 CS                 | 570        | 20               |

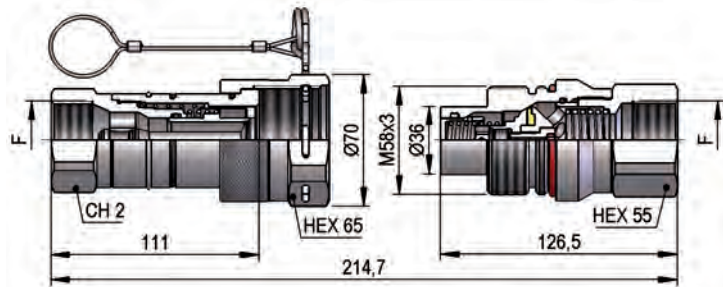


## PST4 CS DN25 - BG 3 - ISO 12.5



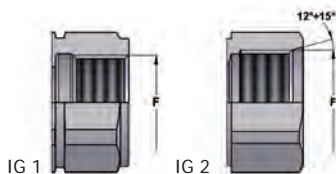
| THREADS | L2   | L3  | F               | STANDARD     | FEMMINA - FEMALE - MUFFE - FEMELLE |            |                  | MASCHIO - MALE - STECKER - MALE |            |                  |
|---------|------|-----|-----------------|--------------|------------------------------------|------------|------------------|---------------------------------|------------|------------------|
|         |      |     |                 |              | COD. F                             | Weight (g) | Packaging (pcs.) | COD. M                          | Weight (g) | Packaging (pcs.) |
| IG 1    | 96   | 103 | BSP 3/4"        | DIN 3852-2-X | PST4.2519.112 CS                   | 971        | 18               | PST4.2519.113 CS                | 926        | 18               |
|         | 96   | 104 | NPT 3/4"        | ANSI B1.20.3 | PST4.2519.012 CS                   | 977        | 18               | PST4.2519.013 CS                | 932        | 18               |
|         | 99   | 107 | BSP 1"          | DIN 3852-2-X | PST4.2525.112 CS                   | 943        | 18               | PST4.2525.113 CS                | 898        | 18               |
|         | 99   | 107 | NPT 1"          | ANSI B1.20.3 | PST4.2525.012 CS                   | 949        | 18               | PST4.2525.013 CS                | 908        | 18               |
| IG 2    | 96.5 | 104 | 1"1/16-12 UN 2B | SAE J 1926-1 | PST4.2527.032 CS                   | 980        | 18               | PST4.2527.033 CS                | 932        | 18               |
|         | 96.5 | 105 | 1"5/16-12 UN 2B | SAE J 1926-1 | PST4.2533.032 CS                   | 921        | 18               | PST4.2533.033 CS                | 873        | 18               |

## PST4 CS DN30 - BG 5 - ISO 25

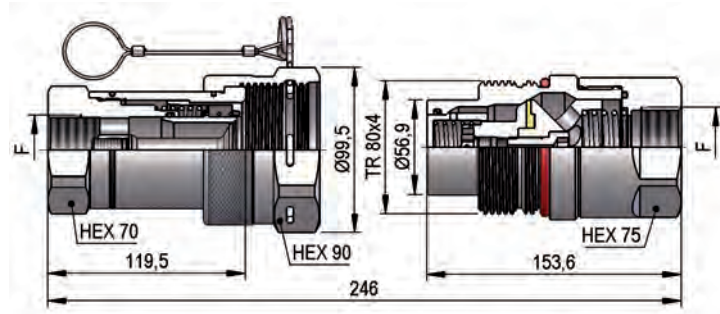


| THREADS | CH2 | F               | STANDARD     | FEMMINA - FEMALE - MUFFE - FEMELLE |            |                  | MASCHIO - MALE - STECKER - MALE |            |                  |
|---------|-----|-----------------|--------------|------------------------------------|------------|------------------|---------------------------------|------------|------------------|
|         |     |                 |              | COD. F                             | Weight (g) | Packaging (pcs.) | COD. M                          | Weight (g) | Packaging (pcs.) |
| IG 1    | 50  | BSP 1"          | DIN 3852-2-X | PST4.3025.112 CS                   | 1700       | 12               | PST4.3025.113 CS                | 1647       | 13               |
|         | 50  | NPT 1"          | ANSI B1.20.3 | PST4.3025.012 CS                   | 1722       | 12               | PST4.3025.013 CS                | 1656       | 13               |
|         | 55  | BSP 1"¼         | DIN 3852-2-X | PST4.3031.112 CS                   | 1700       | 12               | PST4.3031.113 CS                | 1504       | 13               |
|         | 55  | NPT 1"¼         | ANSI B1.20.3 | PST4.3031.012 CS                   | 1715       | 12               | PST4.3031.013 CS                | 1525       | 13               |
| IG 2    | 50  | 1"5/16-12 UN 2B | SAE J 1926-1 | PST4.3033.032 CS                   | 1698       | 12               | PST4.3033.033 CS                | 1630       | 13               |
|         | 55  | 1"5/8-12 UN 2B  | SAE J 1926-1 | PST4.3041.032 CS                   | 1703       | 12               | PST4.3041.033 CS                | 1534       | 13               |

THREADS

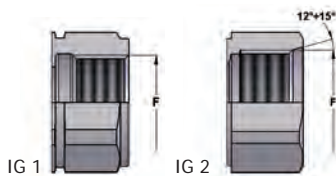


## PST4 CS DN39 - BG 7 - ISO 40



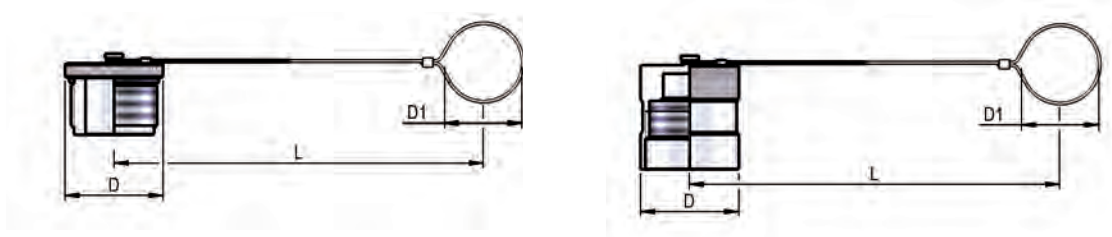
| THREADS | F              | STANDARD     | FEMMINA - FEMALE - MUFFE - FEMELLE |            |                  | MASCHIO - MALE - STECKER - MALE |            |                  |
|---------|----------------|--------------|------------------------------------|------------|------------------|---------------------------------|------------|------------------|
|         |                |              | COD. F                             | Weight (g) | Packaging (pcs.) | COD. M                          | Weight (g) | Packaging (pcs.) |
| IG 1    | BSP 1"½        | DIN 3852-2-X | PST4.3939.112 CS                   | 3250       | 6                | PST4.3939.113 CS                | 3721       | 6                |
|         | NPT 1"½        | ANSI B1.20.3 | PST4.3939.012 CS                   | 3265       | 6                | PST4.3939.013 CS                | 3738       | 6                |
| IG 2    | 1"5/8-12 UN 2B | SAE J 1926-1 | PST4.3941.032 CS                   | 3320       | 6                | PST4.3941.033 CS                | 3790       | 6                |
|         | 1"7/8-12 UN 2B | SAE J 1926-1 | PST4.3947.032 CS                   | 3240       | 6                | PST4.3947.033 CS                | 3700       | 6                |

THREADS

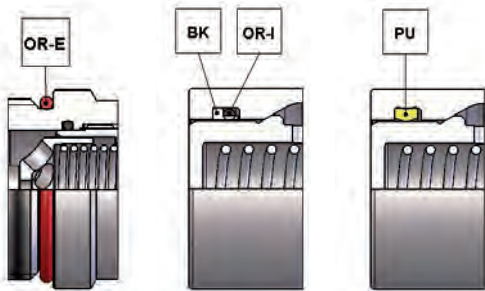


**METAL CAPS**

| NOMINAL SIZE |    |      | FEMALE DUST PLUG |            |     |    | MALE DUST CAP |            |            |     | MATERIAL |            |          |
|--------------|----|------|------------------|------------|-----|----|---------------|------------|------------|-----|----------|------------|----------|
| DNP          | BG | ISO  | COD. F           | Dimensions |     |    | Weight (g)    | COD. M     | Dimensions |     |          | Weight (g) |          |
|              |    |      |                  | D          | L   | D1 |               |            | D          | L   | D1       |            |          |
| 20           | 3  | 12.5 | SPST.20202       | 45         | 215 | 30 | 75            | SPST.20203 | 45         | 215 | 30       | 90         | Aluminum |
| 22           | 4A | 16   | SPST.22202       | 50         | 215 | 30 | 102           | SPST.22203 | 50         | 215 | 30       | 109        | Aluminum |
| 25           | 4  | 19   | SPST.25202       | 55         | 230 | 30 | 147           | SPST.25203 | 55         | 230 | 30       | 155        | Aluminum |
| 30           | 5  | 25   | SPST.30202       | 65         | 350 | 45 | 214           | SPST.30203 | 65         | 350 | 45       | 225        | Aluminum |
| 39           | 7  | 40   | SPST.39202       | 90         | 380 | 50 | 400           | SPST.39203 | 90         | 380 | 50       | 509        | Aluminum |



**SPARE PARTS**



| NOMINAL SIZE |    |      | MALE GASKET     | MALE GASKET |             | MALE GASKET       |
|--------------|----|------|-----------------|-------------|-------------|-------------------|
| DNP          | BG | ISO  | OR-E (SILICONE) | OR-I (NBR)  | BK (PTFE)   | PU (POLYURETHANE) |
| 20           | 3  | 12.5 | PGR.025.120 S   | PLT.019.120 | PLT.019.130 | PVT.019.210       |
| 22           | 4A | 16   | PBV.025.120 S   | PLT.022.120 | PLT.022.130 | PVT.022.210       |
| 25           | 4  | 19   | PAV.030.120 S   | PLT.025.120 | PLT.025.130 | PVT.025.210       |
| 30           | 5  | 25   | PDV.039.120 S   | PLT.031.120 | PLT.031.130 | PVT.030.210       |
| 39           | 7  | 40   | PST.039.122 S   | PLT.039.120 | PLT.039.130 | -                 |